**SH7300R****pH(ORP) TRANSMITTER****OUTLINE**

The SH7300R is a microprocessor based digital pH(ORP) transmitter provides digital field indicator with 2 wired 4-20mA DC output and 24VDC power input.

**FEATURES**

- EASY BUFFER CALIBRATION
- LARGE LCD DISPLAY
- SIMPLE FRONT OPERATION
- SELF DIAGNOSTICS
- ANTIMONY ELECTRODE

**SPECIFICATIONS**

**Input:** Glass electrode, Antimony electrode(pH) or metal electrode(ORP)

**Input range:** 0.00 ~ 14.00pH or -1.500 ~ 1.500V (ORP)

**Output range:** Programmable, 4pH (0.5V at ORP) in span min.1pH increment (0.1V at ORP)

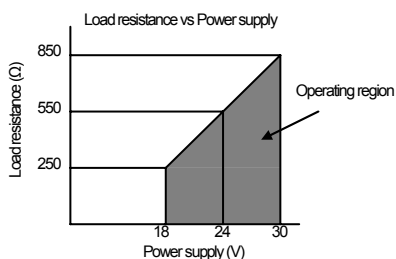
**Output:** 4 ~ 20mA DC isolated, 2-wired, 550Ω max. at 24VDC

**Display:** Process variable, temperature, 4 d ± igits, LCD

**Linearity:** ± 0.03pH (± 3mV)

**Repeatability:** ± 0.01pH (± 1mV)

**Power supply voltage:** 18 ~ 30V DC



**Butter calibration:** JIS pH standard solution, auto-calibration or manual-calibration

**Temperature compensation:** Only for glass electrode.  
0 ~ 100°C

**Temp.sensor:** Pt1000

**Material:**

Case: aluminum casting

Top sheet: Polyester film

**Cable conduit:** G1/2 (PF1/2 female)

**Case:** Rain-proof equivalent to IP67 or NEMA4

**Case color:** Blue (Munsell 10B 5/10)

**Mounting:** 2B(2 inch) pipe or wall mount

**Operation conditions:** -10 ~ 60°C. 5 ~ 95%RH

**Weight:** Approx. 1.5 kg

**FUNCTIONS**

**Output hold:** Keeps current output

**Key lock:** Provided to avoid miss-resetting

**Shift function:** 0.01 pH increments within ± 2.0pH  
0.1°C increments within ± 5.0°C

**Self diagnostics:** pH -0.50pH (-1.6V of ORP) and below, pH 14.50pH (1.6V of ORP) and above, temp. -30°C and below, temp. 130°C and above. electromotive force error at 7pH buffer solution and per pH, identification of error contents on the display or E<sup>2</sup>PROM error

**OPTIONS**

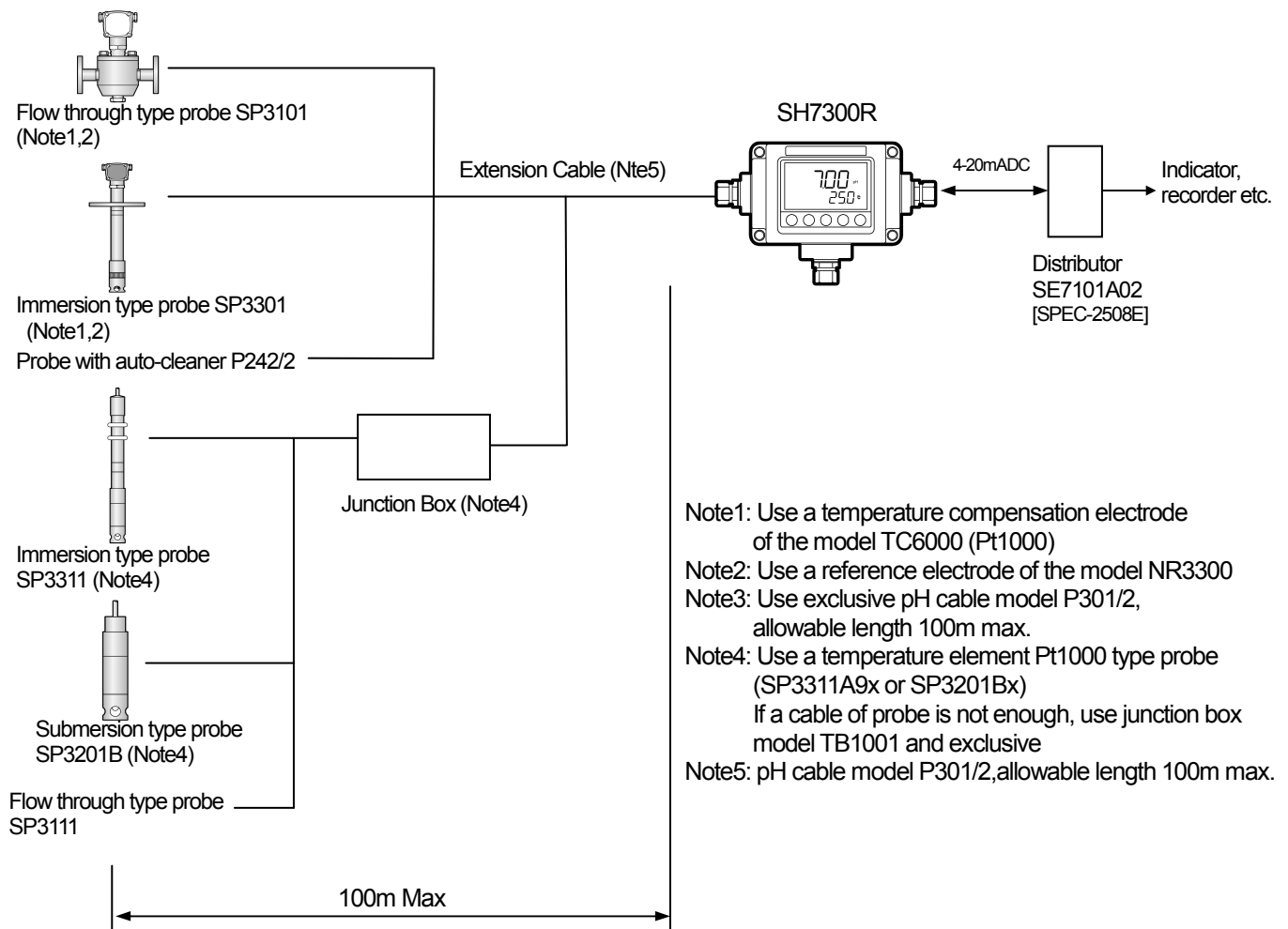
**Solution temp. compensation:**

0.000 ~ 0.050pH/°C for high purity water

**Mounting bracket:** For 2B pipe

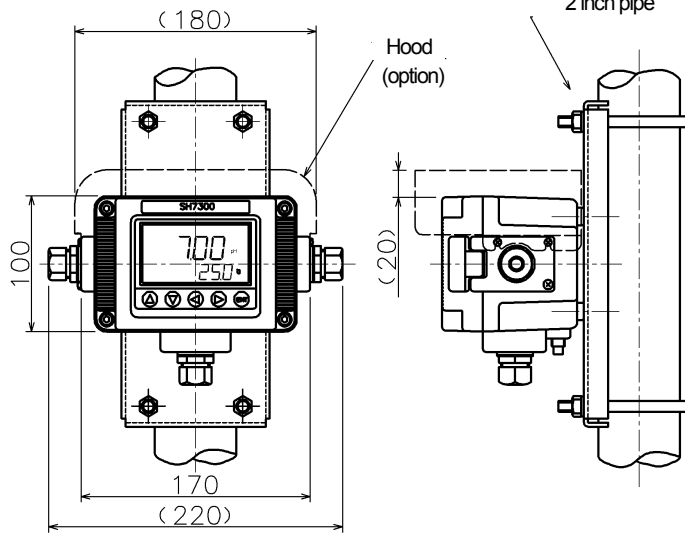
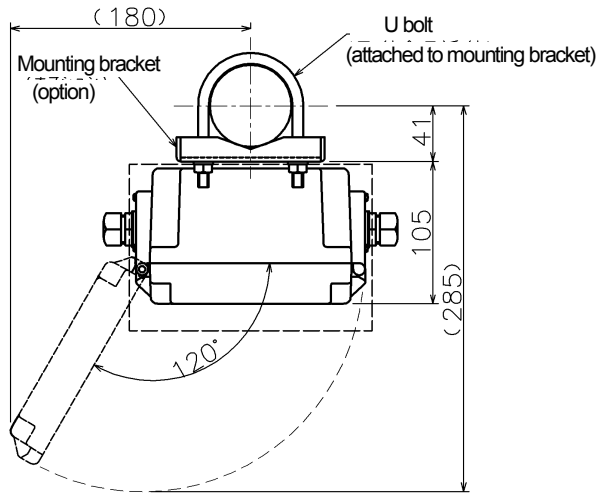
**Hood:** Against sunlight

# PROBE & TRANSMITTER CONNECTION



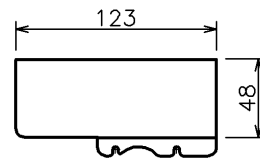
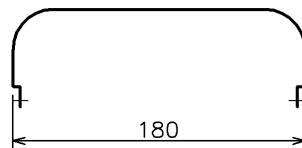
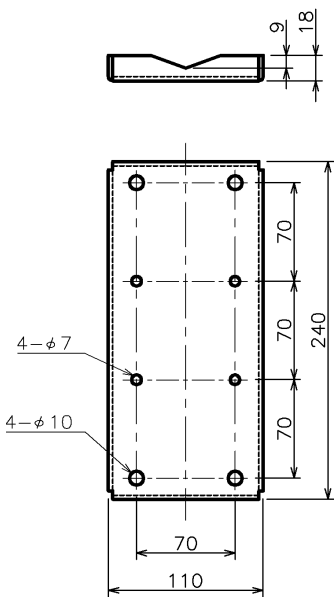
# DIMENSIONS

UNIT : mm



## MOUNTING BRACKET

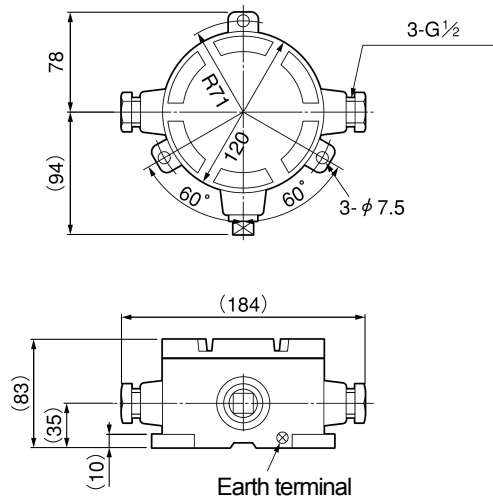
## HOOD



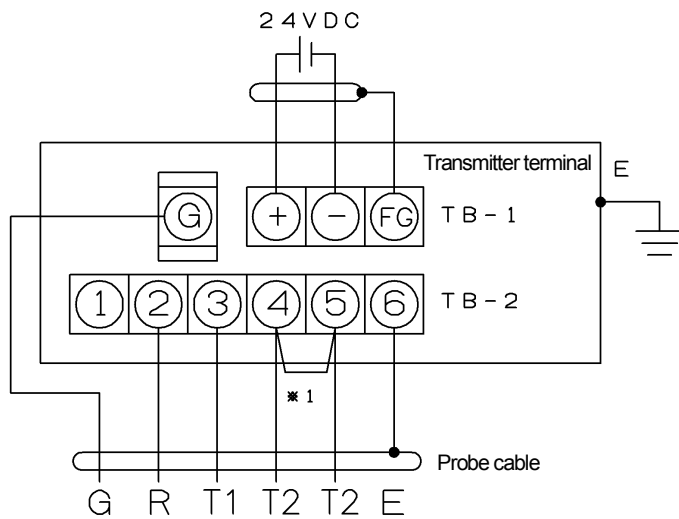
# JUNCTION BOX

(Unit: mm)

TB1001



# TERMINAL ASSIGNMENT



Note1: When two T terminals type detector, wire 3 and 4 number terminal in TB-2, and connect a jumper between terminals 4 and 5.

## MODEL CODE NUMBER

MODEL	DESCRIPTION	
SH73	Digital pH(ORP) transmitter	
<b>CODE</b>	<b>INPUT</b>	
01R	Glass electrode	
02R	ORP electrode	
03R	pH Metal electrode (Antimony)	
<b>CODE</b>	<b>SOLUTION TEMPERATURE COMPENSATION</b>	
0	None	
1	Installed	
<b>CODE</b>	<b>OPTION</b>	
N	None	
A	Hood	
B	Mounting Bracket	
C	Hood & Mounting Bracket	
<b>CODE</b>	<b>SPECIFIC SPECIFICATION</b>	
00	None	
10	Custom, consult factory	

## CAUTION

Do not install this device before consulting instruction manual

**Ohkura**

OHKURA ELECTRIC CO., LTD.

Head Office / Factory

Sales Offices

URL

e-mail (in English)

Saitama, JAPAN

Tokyo, Osaka, Nagoya, Kyushu

<http://www.ohkura.co.jp/>

[contact\\_e@ohkura.co.jp](mailto:contact_e@ohkura.co.jp)

Specifications are subject to change without notice.

For further information, a quotation or a demonstration please contact to: