

**SC7500R****CONDUCTIVITY ANALYZER****OUTLINE**

The SC7500R is a digital conductivity analyzer in 96 x 96 DIN size case and has large-sized display excellent in visibility. Enhanced design allowed multiple ranges, communication interface, and wide range of power input voltage. The functions are available for various applications in the field.

**FEATURES**

- 2 INPUTS
- EXTRA-LARGE DIGITAL DISPLAY
- COMPACT SIZE IN 96 x 96 MM DIN CASE
- UP TO 31 MULTIPLR RANGES
- EVENT OUTPUT STANDARD
- STANDARD COMMUNICATION INTERFACE
- SIMPLE OPERATION
- WIDE RANGE OF POWER INPUT VOLTAGE
- SELF DIAGNOSTICS

**SPECIFICATIONS**

**Number of Inputs:** 1 or 2 conductivity cell inputs  
(ch2 input is option)

**Input range:** Refer to range table

**Output range:** Refer to range table

**Output:** 4 ~ 20mA DC isolated, 600Ω max.

**Display:** 4 digits, 7 segments LED, dual

**Linearity:** ± 0.4% or ± 2 digit whichever larger

**Repeatability:** ± 0.2% or 1 digit whichever larger

**Alarm:** Available at No.1 input only

**Number of set points:** 2

**Set point range:** 0 ~ 100% of range

**Output relay:** Form-A, 250VAC 0.5A

**Hysteresis adjustment:** 0 ~ 100% of range

**ON delay timer:** 0 ~ 600sec.

**Output, at abnormal measurement:** Output low (4mA),  
high (20mA) and disable the function

**Cable compensation:** Conductivity and  
temperature sensor

**Temperature compensation:** By purity water & Sodium  
chloride (NaCl)

**Range:** 0 ~ 100°C conductivity

**Temp. sensor:** Pt1000

**Case structure:** IP65 (only front panel)



**Operation conditions:** -10 ~ 50°C, 90%RH max.

**Power supply voltage:** 85 ~ 264VAC. 45 ~ 65Hz

**Power consumption:** 6VA @ 100VAC

**Weight:** Approx. 0.5 kg

**OPTION**

**Ch2 input:** Range code, linearity and Repeatability are the same as ch1(Ch1 and ch2 can respectively individually select the range code. However, when it outputs deflection and warning is selected, it excludes it.)

**Ch2 output:** 4 ~ 20mA DC isolated output corresponding to ch2 input

**Communication interface module:** RS-232C or RS-422A  
Rate: 9600, 4800, 2400 1200, 600 or 300bps

**Deflection output:** Output corresponding to deflection between ch1 and ch2

**Ch2 alarm:** Connect No.2 alarm relay to ch2 Input

**Deflection alarm:** Alarm output corresponding to deflection between ch1 and ch2

**Dust protection cover:** Installed on rear terminal panel

## RANGE CODE TABLE

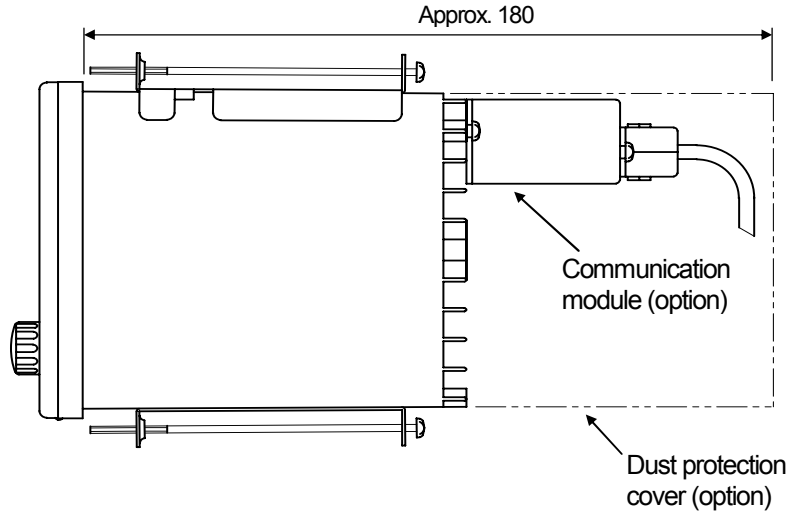
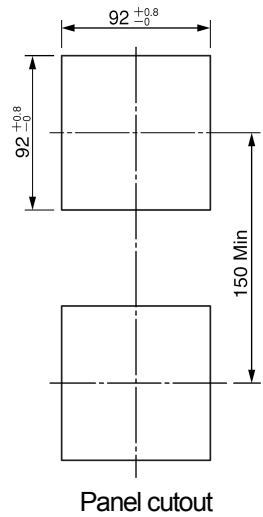
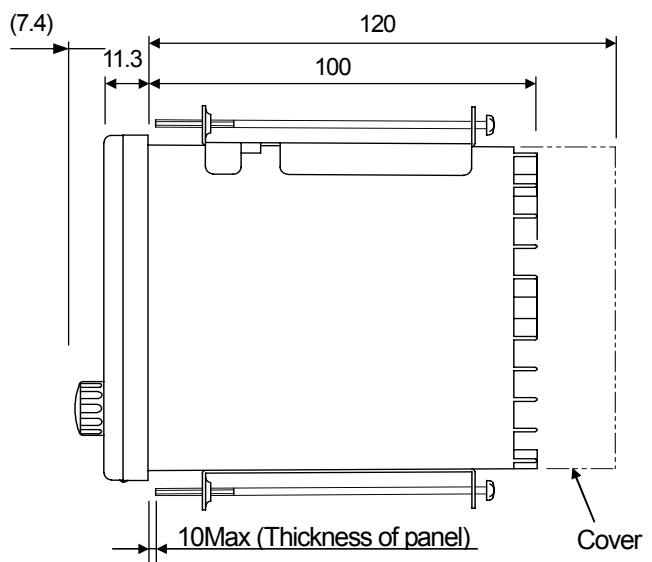
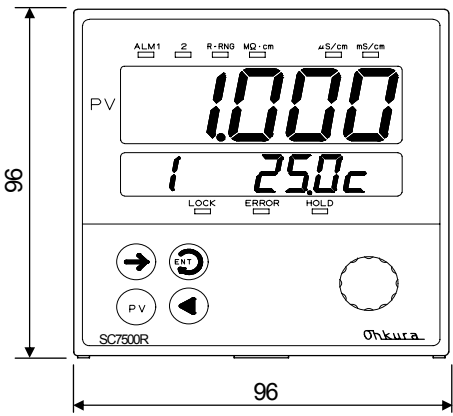
SI UNIT (Standard)				USUAL UNIT (semi-standard)			
Range code	Range	Unit	Cell constant	Range code	Range	Unit	Cell constant
51	0.00-10.00	$\mu\text{S/m}$	$1.0$ $(\text{m}^{-1})$	01	0.000-0.100	$\mu\text{S/cm}$	$0.01$ $(\text{cm}^{-1})$
52	0.00-20.00			02	0.000-0.200		
53	0.0-50.0			03	0.000-0.500		
54	0.0-100.0			04	0.000-1.000		
55	0.0-200.0			05	0.000-2.000		
56	0-500			06	0.00-5.00		
57	0-1000			07	0.00-10.00		
58	0-2000			08	0.00-20.00		
64	0.000-0.200	$\text{mS/m}$	$10.0$ $(\text{m}^{-1})$	14	0.000-2.000	$\mu\text{S/cm}$	$0.1$ $(\text{cm}^{-1})$
65	0.000-0.500			15	0.00-5.00		
66	0.000-1.000			16	0.00-10.00		
67	0.000-2.000			17	0.00-20.00		
68	0.00-5.00			18	0.0-50.0		
69	0.00-10.00			19	0.0-100.0		
70	0.00-20.00			20	0.0-200.0		
75	0.000-2.000	$\text{mS/m}$	$100$ $(\text{m}^{-1})$	25	0.00-20.00	$\mu\text{S/cm}$	$1.0$ $(\text{cm}^{-1})$
76	0.00-5.00			26	0.0-50.0		
77	0.00-10.00			27	0.0-100.0		
78	0.00-20.00			28	0.0-200.0		
79	0.0-50.0			29	0-500		
80	0.0-100.0			30	0-1000		
81	0.0-200.0			31	0-2000		
82	0-500			32	0-5000		
87	0.00-20.00	$\text{mS/m}$	$1000$ $(\text{m}^{-1})$	37	0.000-0.200	$\text{mS/cm}$	$10.0$ $(\text{cm}^{-1})$
88	0.0-50.0			38	0.000-0.500		
89	0.0-100.0			39	0.000-1.000		
90	0.0-200.0			40	0.000-2.000		
91	0-500			41	0.00-5.00		
92	0-1000			42	0.00-10.00		
93	0-2000			43	0.00-20.00		
94	0-5000			44	0.0-50.0		

Note1: Range code of ch1 and ch2 is the same

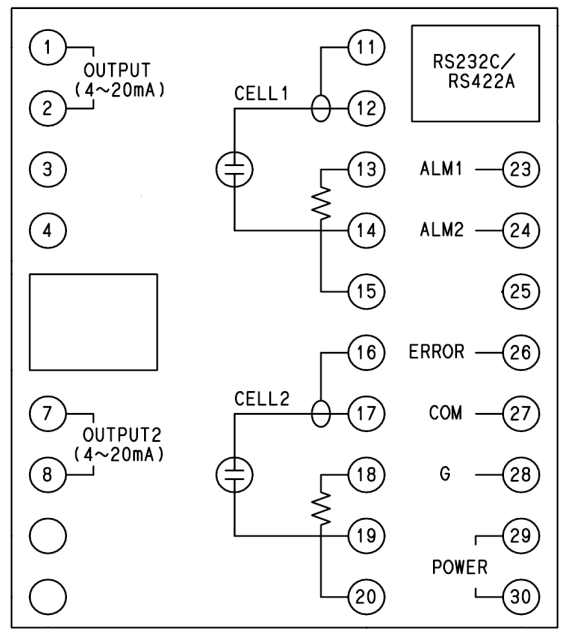
Note2: When ch2 is not used, 00 is selected

# DIMENSIONS

(Unit: mm)



# TERMINAL ARRANGEMENT



## MODEL CODE NUMBER

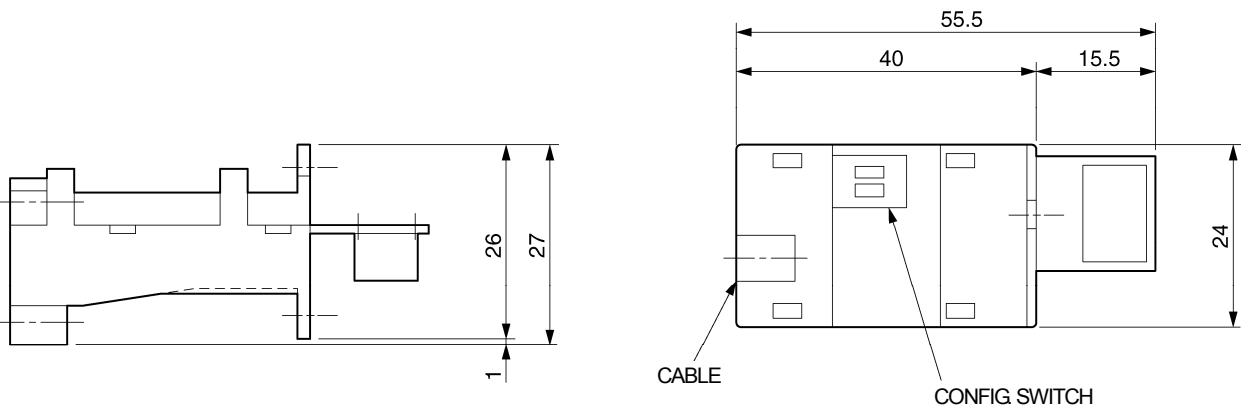
MODEL	DESCRIPTION	
SC7501R	Conductivity Analyzer	
<b>CODE</b>	<b>RANGE AT CH1 INPUT</b>	
hh	Select code number from among range code table	
<b>CODE</b>	<b>RANGE AT CH2 INPUT</b>	
ll	Select code number from among range code table (Note1)	
<b>CODE</b>	<b>COMMUNICATION INTERFACE MODULE</b>	
0	No communication module	
1	RS232C communication interface module (ZE7101A0106) included	
2	RS422A communication interface module (ZE7101A0206) included	
<b>CODE</b>	<b>OPTIONAL OUTPUT</b>	
0	None	
<b>CODE</b>	<b>OPTIONAL ALARM OUTPUT</b>	
0	Standard alarm	
1	ch2 alarm	
2	Deflection alarm (Note2)	
<b>CODE</b>	<b>SECOND OUTPUT</b>	
0	None	
1	Ch2 output	
2	Deflection output (Note3)	
<b>CODE</b>	<b>DUST PROTECTION COVER</b>	
0	None	
1	Cover installed	

Note1: When ch2 is not used, 00 is selected

Note2: Please select the same range code with ch1 and ch2

## COMMUNICATION INTERFACE MODDULE

ZE7101A0106: RS-232C Communication interface module, Cable HMSU2255B02, length=2m with D-sub connector  
 ZE7101A0206: RS-422A Communication interface module, Cable HMSU2691B01, length & number of ports to be specified



## ⚠ CAUTION

Do not install this device before consulting instruction manual

Specifications are subject to change without notice.

For further information, a quotation or a demonstration please contact to:

**Ohkura**

OHKURA ELECTRIC CO., LTD.

Head Office / Factory

Sales Offices

URL

e-mail (in English)

Saitama, JAPAN

Tokyo, Osaka, Nagoya, Kyushu

<http://www.ohkura.co.jp/>

contact\_e@ohkura.co.jp