



SC5800R

CONDUCTIVITY ANALYZER

OUTLINE

The SC5800R is a digital conductivity analyzer in 96 x 96 DIN size case and has large-sized display excellent in visibility. Enhanced design allowed multiple ranges, communication interface, and wide range of power input voltage. The functions are available for various applications in the field.

FEATURES

- 2 INPUTS
- EXTRA-LARGE DIGITAL DISPLAY
- COMPACT SIZE IN 96 × 96 MM DIN CASE
- UP TO 48 MULTIPLR RANGES
- EVENT OUTPUT STANDARD
- STANDARD COMMUNICATION INTERFACE
- SIMPLE OPERATION
- WIDE RANGE OF POWER INPUT VOLTAGE
- SELF DIAGNOSTICS



SPECIFICATIONS

Number of Inputs: 1 or 2 conductivity cell inputs
(ch2 input is option)

Input range: Refer to range table

Output range: Refer to range table

Output: 4 ~ 20mA DC isolated, 600Ω max.

Display: 4 digits, 7 segments LED, dual

Linearity: ± 0.4% or ± 2 digit whichever larger

Repeatability: ± 0.2% or 1 digit whichever larger

Alarm: Available at No.1 input only

Number of set points: 2

Set point range: 0 ~ 100% of range

Output relay: Form-A, 250VAC 0.5A

Hysteresis adjustment: 0 ~ 100% of range

ON delay timer: 0 ~ 300sec.

Output,at abnormal measurement: Output low (4mA),
high (20mA) and disable the function

Cable compensation: Conductivity and
temperature sensor

Temperature compensation: By purity water & Sodium
chloride (NaCl)

Range: 0 ~ 100°C conductivity

Temp.sensor: Pt1000

Case structure: IP65 (only front panel)

Operation conditions: -10 ~ 50°C, 90%RH max.

Power supply voltage: 85 ~ 264VAC. 45 ~ 65Hz

Power consumption: 6VA @ 100VAC

Weight: Approx. 0.5 kg

OPTION

Ch2 input: Range code, linearity and Repeatability are the same as ch1 (Ch1 and ch2 can respectively individually select the range code. However, when deflection output or deflection alarm is selected is excluded.)

Ch2 output: 4 ~ 20mA DC isolated output
corresponding to ch2 input

Communication interface module: RS-232C or RS-422A
Rate: 9600, 4800, 2400 1200, 600 or 300bps

Non-linear output: Purity water application model
Conductivity analyzer only

Output scaling: Resistivity analyzer only

Deflection output: Output corresponding to deflection
between ch1 and ch2

Ch2 alarm: Connect No.2 alarm relay to ch2 Input

Deflection alarm: Alarm output corresponding to deflection
between ch1 and ch2

Dust protection cover: Installed on rear terminal panel

RANGE CODE TABLE

<Conductivity Analyzer>

SI UNIT (Standard)				USUAL UNIT (Semi-standard)				FIX / AUTO
Range code	Range	Unit	Cell constant	Range code	Range	Unit	Cell constant	
51	0.00-10.00	μS/m	1 (m ⁻¹)	01	0.000-0.100	μS/cm	0.01 (cm ⁻¹)	FIX
52	0.00-20.00							
53	0.0-50.0							
54	0.0-100.0							
55	0.0-200.0							
56	0-500							
57	0-1000							
58	0-2000							
59	0.00-10.00/0.0-100.0							
60	0.00-20.00/0.0-200.0							
61	0.0-50.0/0-500							
62	0.0-100.0/0-1000							
63	0.0-200.0/0-2000							
64	0.000-0.200	mS/m	10 (m ⁻¹)	14	0.000-2.000	μS/cm	0.1 (cm ⁻¹)	FIX
65	0.000-0.500							
66	0.000-1.000							
67	0.000-2.000							
68	0.00-5.00							
69	0.00-10.00							
70	0.00-20.00							
71	0.000-0.200/0.000-2.000							
72	0.000-0.500/0.00-5.00							
73	0.000-1.000/0.00-10.00							
74	0.000-2.000/0.00-20.00							
75	0.000-2.000							
76	0.00-5.00	mS/m	100 (m ⁻¹)	25	0.00-20.00	μS/cm	1 (cm ⁻¹)	FIX
77	0.00-10.00							
78	0.00-20.00							
79	0.0-50.0							
80	0.0-100.0							
81	0.0-200.0							
82	0-500							
83	0.000-2.000/0.00-20.00							
84	0.00-5.00/0.0-50.0							
85	0.00-10.00/0.0-100.0							
86	0.00-20.00/0.0-200.0							
87	0.00-20.00							
88	0.0-50.0	mS/m	1000 (m ⁻¹)	37	0.000-0.200	mS/cm	10 (cm ⁻¹)	FIX
89	0.0-100.0							
90	0.0-200.0							
91	0-500							
92	0-1000							
93	0-2000							
94	0-5000							
95	0.00-20.00/0.0-200.0							
96	0.0-50.0/0-500							
97	0.0-100.0/0-1000							
98	0.0-200.0/0-2000							
99								
00								
01	0.000-0.200			1	0.00-20.00	MΩ·cm	0.01(cm ⁻¹)	FIX

Note1: Range code of ch1 and ch2 is the same

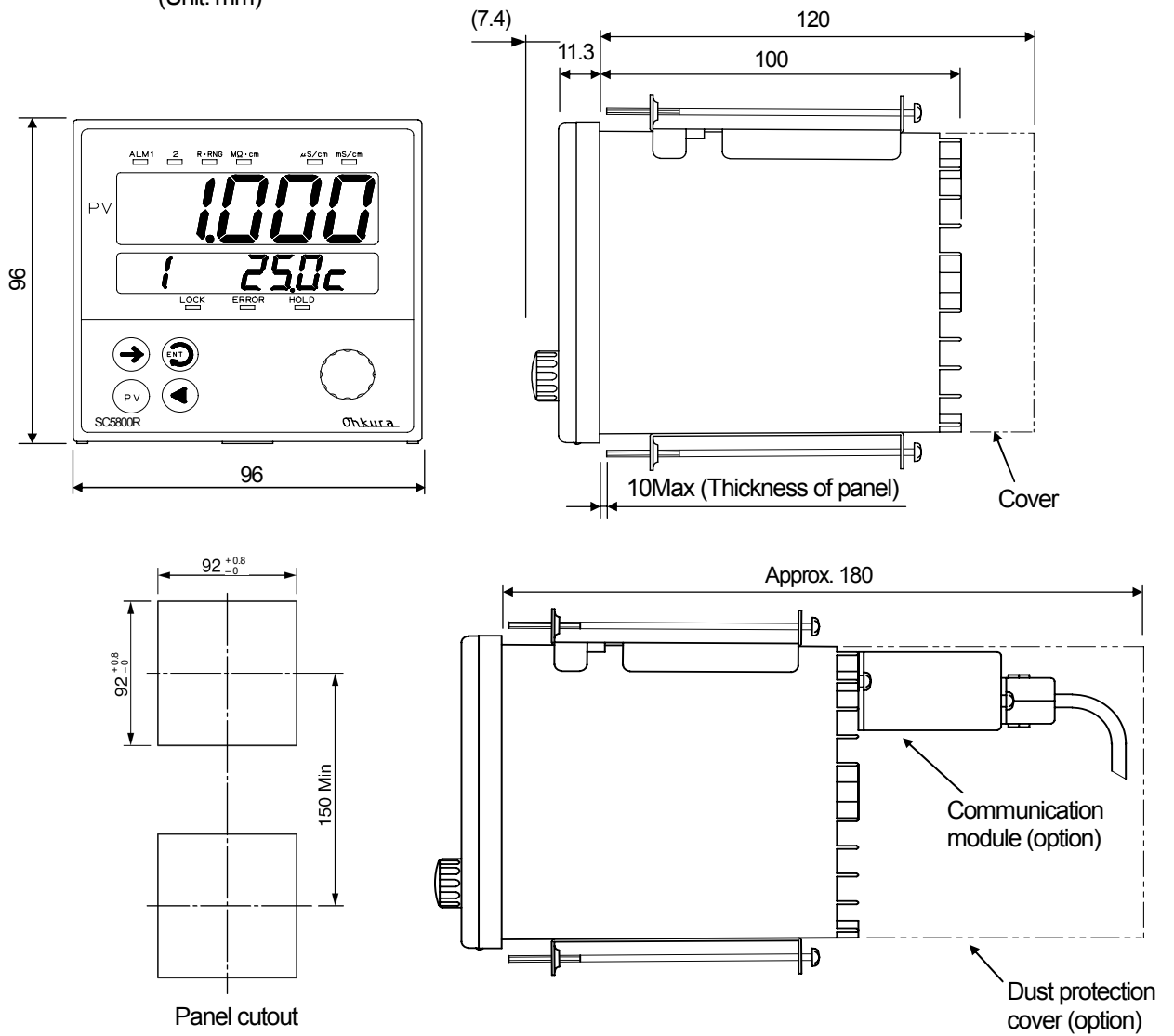
Note2: When ch2 is not used, 00 is selected

<Resistivity Analyzer >

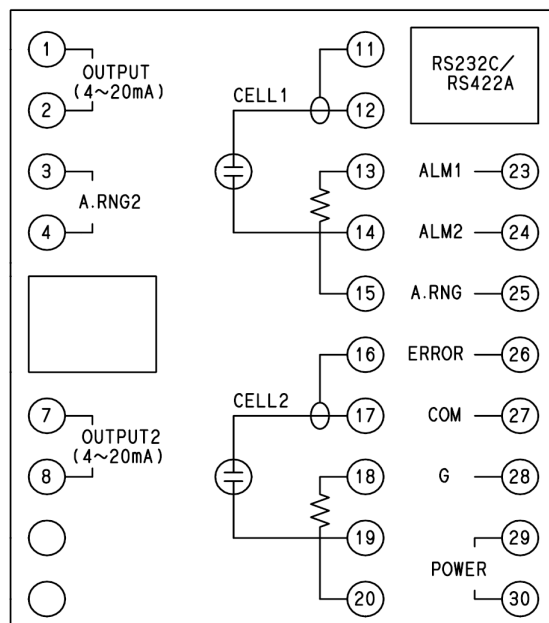
SI UNIT (Standard)				USUAL UNIT (semi-standard)				FIX / AUTO
Range code	Range	Unit	Cell constant	Range code	Range	Unit	Cell constant	
51	0.000-0.200	MΩ·m	1(m ⁻¹)	1	0.00-20.00	MΩ·cm	0.01(cm ⁻¹)	FIX

DIMENSIONS

(Unit: mm)



TERMINAL ARRANGEMENT



Note: All of terminals have electrical connection inside.

MODEL CODE NUMBER

MODEL	DESCRIPTION
SC5801R	Conductivity Analyzer
SC5802R	Resistivity Analyzer
CODE	RANGE AT CH1 INPUT
hh	Select code number from among range code table
CODE	RANGE AT CH2 INPUT
ll	Select code number from among range code table (Note1)
CODE	COMMUNICATION INTERFACE MODULE
0	No communication module
1	RS232C communication interface module (ZE7101A0106) included
2	RS422A communication interface module (ZE7101A0206) included
CODE	OPTIONAL OUTPUT
0	None
1	Non-linear output (Conductivity model only) (Note2)
2	Output scaling (Resistivity model only)
CODE	OPTIONAL ALARM OUTPUT
0	Standard alarm
1	ch2 alarm
2	Deflection alarm (Note3)
CODE	SECOND OUTPUT
0	None
1	Ch2 output
2	Deflection output (Note3)
CODE	DUST PROTECTION COVER
0	None
1	Cover installed

Note1: When ch2 is not used, 00 is selected

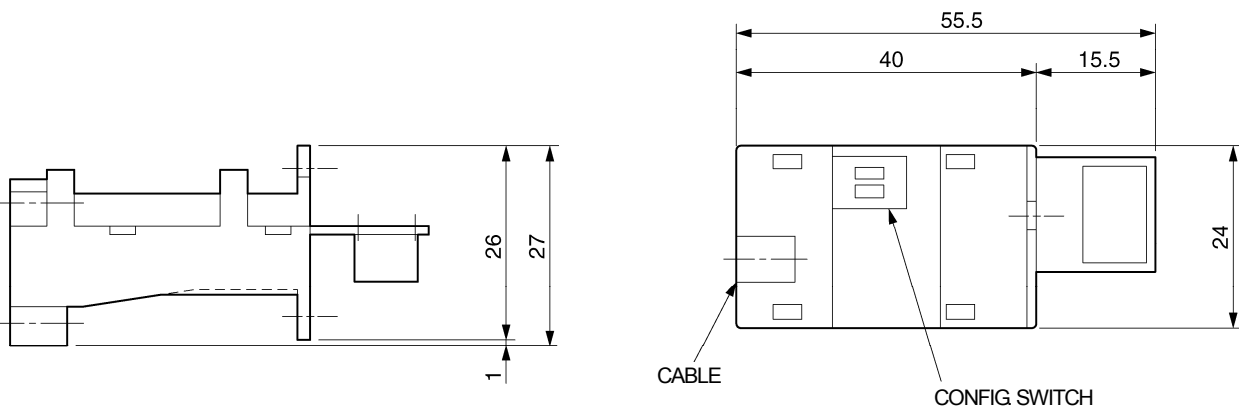
Note2: Only fix range can be selected

Note3: Please select the same range code with ch1 and ch2

COMMUNICATION INTERFACE MODDULE

ZE7101A0106: RS232C Communication interface module, Cable HMSU2255B02, length=2m with D-sub connector

ZE7101A0206: RS422A Communication interface module, Cable HMSU2691B01, length & number of ports to be specified



⚠ CAUTION

Do not install this device before consulting instruction manual

Specifications are subject to change without notice.

For further information, a quotation or a demonstration please contact to:

Ohkura

OHKURA ELECTRIC CO., LTD.

Head Office / Factory

Sales Offices

URL

e-mail (in English)

Saitama, JAPAN

Tokyo, Osaka, Nagoya, Kyushu

<http://www.ohkura.co.jp/>

contact_e@ohkura.co.jp