



SYSTEM A2 model A14

Weight indicator / transmitter



SYSTEM A2 model A14 controller

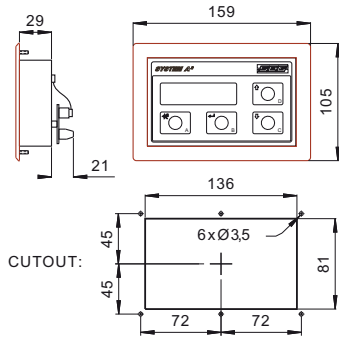
The SEG System A2 is an electronic weight indicator for industrial use. Model A14 is designed for tough environments acting as local indicator or remote transmitter. Versions for panel mount and wall mounting available.

Benefits

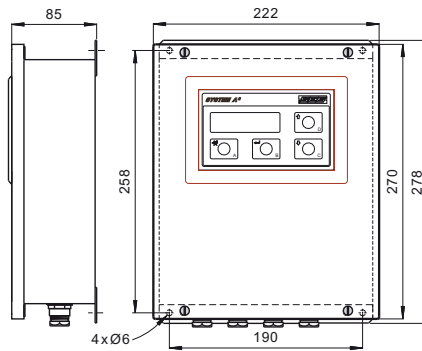
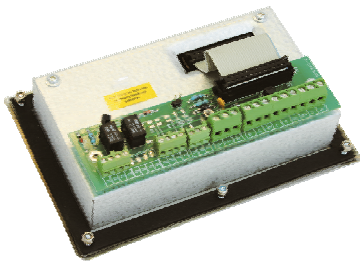
- 24vdc power supply (230vac optional)
- 4-20mA isolated output (Net weight)
- RS-485 serial port (RS-232 connection for printer only)
- Modbus (RTU, ASCII)
- 2x16 character text display with Backlight
- 2 or 4 Relay Outputs for level control
- Permanently stored data in flash memory
- Real-time clock

Features

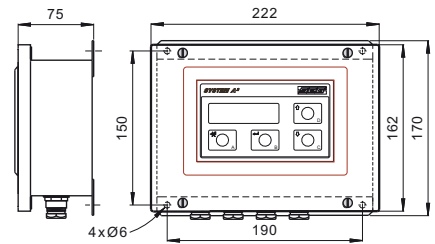
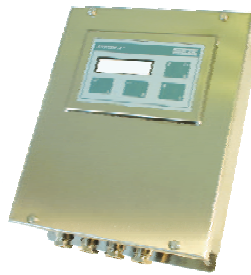
- Indication of Gross- and Netweight
- Stand alone or Remote operation
- Printout
- Inputs for net zero and printout
- Easy to use start-up and re-calibration procedures
- Optional fieldbus connection; Profibus, CANopen, Devicenet etc.



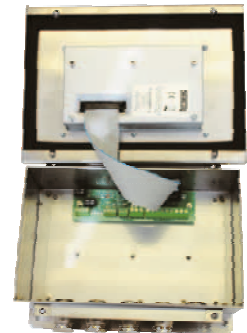
Panel mount, type -P
weight: 0,5kg



Field enclosure type -W
weight: 3,0kg



Field enclosure type -V
weight: 2,5kg



Design

Frontpanel: Stainless steel frame with integrated keypad.
Protection: Splashproof NEMA 4 / IP65.

Rear cover: Aluminium-zink metal.
Protection: IP55.

Field enclosures: Stainless steel SIS2333.
Protection: NEMA 4 / IP65.
Cable entry: 4 x dia.19 holes w. PG11 metal glands,
1 x dia. 22,5 hole.

Display & control

Display: LCD 2x16 character, 5,5mm w. backlight.
Control: 4-key local keypad or via RS485 com port.
Memory: Battery back-up + Non-volatile FLASH memory.
Set-up: Interactive via local keypad software.

Power supply

Standard: 24Vdc, 5W.
Protection: Fuse (internal)
Optional: External 90-250VAC / 24VDC (PW-24).

Connection

Terminal strip: 12 x 2,5 mm² max (AWG 16)
for stranded wire. (Terminals: 1-6, V+, V-).
11 x 1,5 mm² max (AWG 18)
for stranded wire. (Terminals: 21-52).

Input

Load Cell: 4- or 6-wire system with sense inputs, 0,3-45mVdc
Digital (2) Closing contact. Net zero and printout.

Output

Load Cell, Exc.: 12Vdc nominal
Max. load: 140 mA (~85 Ω)
Min. load: 1000 Ω
Relays (2 or 4): Dry contact N.O. 24Vdc / 1A.
(programmable weight levels)
Analog: Isolated 4-20mA, max 350Ω, 12-bit resolution.
(Net weight)

Communication port

Port (1): RS485, Modbus RTU, ASCII

Environmental

Location: Indoor/outdoor
Operation: -10 to +50 °C
Storage: -20 to +70 °C

Approvals



EN 61000-4-3 (2006) and EN 55022 (1998) + A1 +A2



2002/95/EC - RoHS



Marking of electrical and electronic equipment in accordance with Directive 2002/96/EC (WEEE)

ORDER INFO

A2-N-2-P-A14-xx* System A2, normal Class, 2 relays, panelmounting, model A14 weight indicator.
A2-N-2-W-A14-xx* System A2, normal Class, 2 relays, with enclosure type -W for wallmounting, model A14 weight indicator.
A2-N-2-V-A14-xx* System A2, normal Class, 2 relays, with enclosure type -V for wallmounting, model A14 weight indicator.

-xx* Language selection: -GB or -S. Other languages to come.

PW-24 Optional power supply, 90-250VAC/24VDC 25W. Fits inside field enclosure type -V and -W.
FB-zz Optional fieldbus converters, -PDP (Profibus), -CAN (Canopen) etc. Fits inside field enclosure type -W only.
TB-230 Optional terminal board with 250VAC/3A output relays. (Direct replacement for existing terminal board).