

VELOCITY TRANSDUCER

T1-40

The T1-40 transducer measures absolute vibration of any rotating machine support. It supplies a voltage proportional to the vibration speed directly interfaceable with a device that can process the signal (TR-V, TRAL-V, TM1, TDSP).

The T1-40 electrodynamic transducer consists of a suspended plate coil immersed in the magnetic field of a permanent magnet. It is fastened at the point to be tested and generates a signal proportional to the vibration speed. It is used to monitor pumps, fans, motors and compressors and is available in aluminium or stainless steel complete with MIL standard connector for electrical connection.

The transducer is available for the following classified area:

- ⚡ II 2GD Ex ia IIC T6/T5/T4 Ex iaD 21 T85/100/135°C (ATEX - ZONE 1)
 - ⚡ II 1GD Ex ia IIC T6/T5/T4 Ex iaD 20 T85/100/135°C (ATEX - ZONE 0)
 - Ex ia IIC T6/T5/T4 Gb Ex ia IIIC T85°C/100°C/135°C Db (IECEX - ZONE 1)
 - Ex ia IIC T6/T5/T4 Ga Ex ia IIIC T85°C/100°C/135°C Da (IECEX - ZONE 0)
- The transducer is certified SIL2 for functional safety.



TECHNICAL CHARACTERISTICS

Sensitivity	■ 21.2 mV/mm/s
Composition	■ body in anodised aluminium or AISI 316L stainless steel
External connections	■ 5 or 7 pin MIL standard connector
Operating temperature range	■ -40° C ÷ 100° C ■ -40° C ÷ 170° C HT ■ IP65
Type of measurement	■ seismic (absolute vibration)
Measurement direction	■ omnidirectional
Measurement range	■ ± 1 mm
Dynamic range	■ 10 ÷ 1000 Hz fig. 1
Resonance frequency	■ 12 Hz
Transverse sensitivity	■ < 7%
Output impedance	■ 1K Ω a 25° C
Retaining screw	■ M8 X 1,25
Weight	■ ~ 300 gr

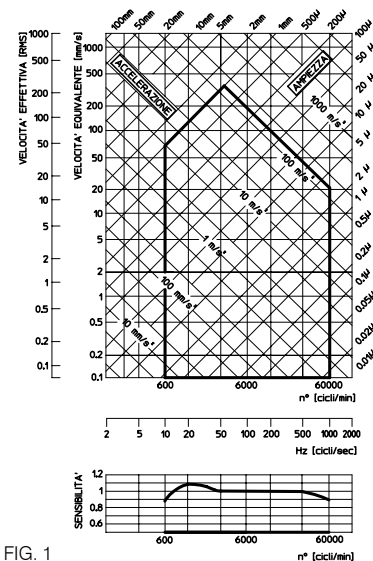


FIG. 1



CEMB
BALANCING MACHINES

T1-40

A B C D E
T1-40/ 00 / 00 / □ / □ / □

A: MEASUREMENT DIRECTION

00 omnidirectional

B: TEMPERATURE RANGE

00 -40°C ÷ +100°C
HT -40°C ÷ +170°C (no ATEX/IECEX)

C: CERTIFICATION

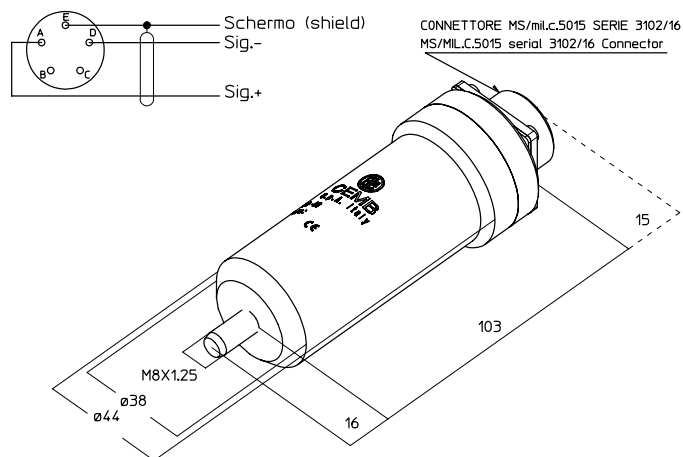
0	NONE		
2	II 2GD Ex ia IIC T6/T5/T4	Ex ia D21 T85/100/135°C	(ATEX - ZONE 1)
5	Ex ia IIC T6/T5/T4 Gb	Ex ia IIIC T85°C/100°C/135°C Db	(IECEX - ZONE 1)
8	II 1GD Ex ia IIC T6/T5/T4	Ex ia D20 T85/100/135°C	(ATEX ZONE 0)
B	Ex ia IIC T6/T5/T4 Ga	Ex ia IIIC T85°C/100°C/135°C Da	(IECEX - ZONE 0)

D: CASING

0 ALUMINIUM
1 STAINLESS STEEL (mandatory for zone 0)

E: FIXED CONNECTOR

0 ALUMINIUM
1 PLASTIC (mandatory for zone 0)
2 7 CONTACTS



CABLES AND OPTIONAL ACCESSORIES

CABLES:

	SHIELDED CABLE 2X1 STANDARD CBL-T1-40 / S / 0 / XX (length in meters)	80419-P
	SHIELDED CABLE ARMoured IN ETFE CBL-T1-40 / E / 0 / XX (length in meters)	87SEA7952
	SHIELDED CABLE 2X1 WITH METAL JACKET COVERED BY PVC CBL-T1-40 / A / 0 / XX (length in meters)	95743-P

CONNECTORS:

5 PINS STRAIGHT (standard)	597053126
5 PINS 90°	597053128
5 PINS PLASTIC CASE (mandatory for zone 0)	597053127
7 PINS STRAIGHT	597073116
7 PINS 90°	597073118

OTHER:

ZENER BARRIER Z787 (for hazardous area)	800208787
PLASTIC TAG	040STR000
STAINLESS STEEL TAG	980710835



CEMB S.p.A.
Via Risorgimento, 9
23826 MANDELLO DEL LARIO (LC) Italy
www.cemb.com

Vibration analysis division:
phone +39 0341 706111
fax +39 0341 706299
e-mail: stm@cemb.com

All the data and features mentioned in this catalogue are purely for information and do not constitute any commitment on the part of our company, which reserves the right to make any and all alterations it may consider suitable without notice.