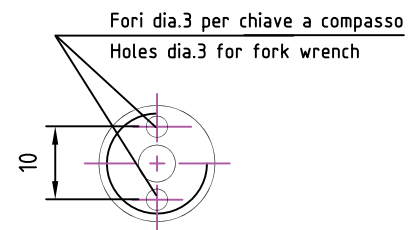
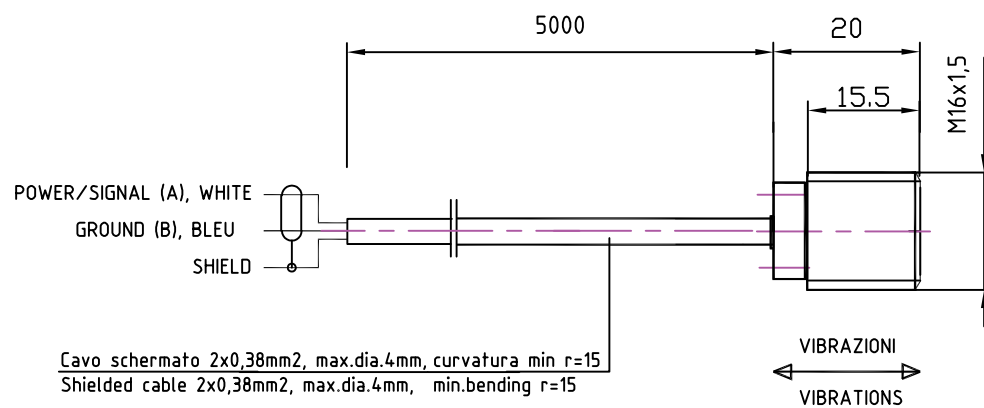


# INTEGRATED EQUIPMENT



# M16

Acceleration transducer



**CEMB**  
BALANCING MACHINES

## Functioning

The M16 transducer picks up seismically the absolute vibrations of the machine by being fitted directly to the vibrating part.

## Technical characteristics

<b>Type of measurement :</b>	seismic (absolute vibrations)
<b>Dynamic range :</b>	$\pm 50 \text{ g} - 0.1 \text{ Hz} \div 10.0 \text{ KHz} (\pm 3 \text{ db})$
<b>Direction of vibrations :</b>	any
<b>Sensitivity :</b>	100 mV/g
<b>Transverse sensitivity :</b>	< 5%
<b>Accuracy :</b>	0,0003 g
<b>Resonance frequency :</b>	> 25 KHz
<b>Protection against shocks :</b>	$\pm 7000 \text{ g-pk}$
<b>Power supply :</b>	$2 \div 20 \text{ mA} - 18 \div 28 \text{ V}$
<b>Outlet impedance :</b>	< 100 ohm
<b>Temperature range :</b>	$- 48^{\circ}\text{C} \div + 121^{\circ}\text{C}$
<b>External casing material :</b>	316-L stainless steel
<b>Mounting screws :</b>	M16 x 1.5
<b>Weight :</b>	20 g
<b>Protection against external agents :</b>	CEI 70-1 standard, IP66 class
<b>Connection :</b>	two wires shielded cable

## Assembly

Make a threaded hole M16 x 1.5 the surface to be tested.

## Maintenance

Zero.

## Dimensions, fixture and connections

as per front page drawing.

CEMB S.p.A.  
23826 MANDELLO del LARIO  
TEL. (+39) 0341.706111  
www.cemb.com  
e mail: stm@cemb.com

### Div. Strumentazioni Via Risorgimento, 9

**Fax (+39) 0341.706.299**

Div. Garage Viale Costituzione, 28

Tel. (+39) 0341.700369

Fax (+39) 0341.700725

Training Center Viale Costituzione, 28



# CEMB

BALANCING MACHINES

